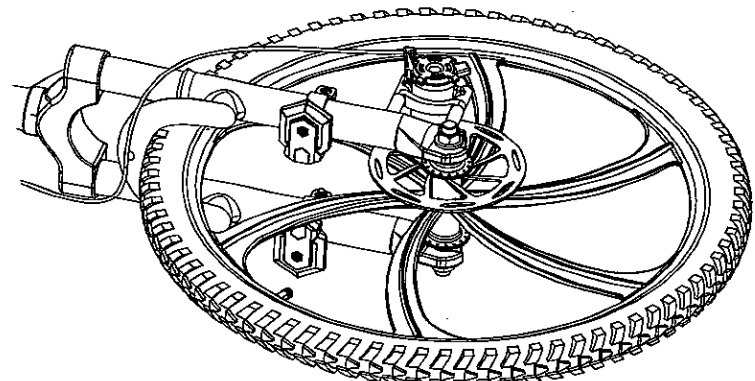
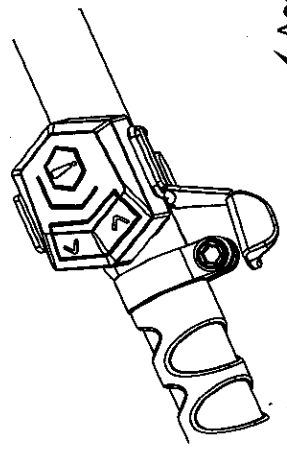


gekauft bei Amazon.de

V0.2: Instruction Manual



Accessories

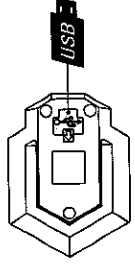
- 1. LED Direction Indicator × 4
- 2. Remote Control × 1
- 3. Front Installation Bracket × 2
- 4. Rear Installation Bracket × 1
- 5. O-Ring × 4
- 6. Micro USB Charging Cable × 2

Gift box package size and weight  
 Size: 192mm×186×43mm  
 Weight: ~230g

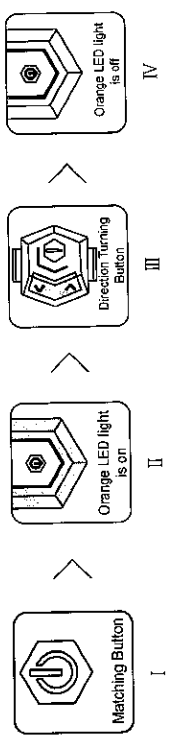
Operating Introduction

Please make sure fully charged before use  
 Please connect PC Micro USB Port or Micro USB Charging Cable

- Charging Time: Around 3Hours (USB2.0)
- Charging: Red LED light is on
- Charged: Green LED light is on



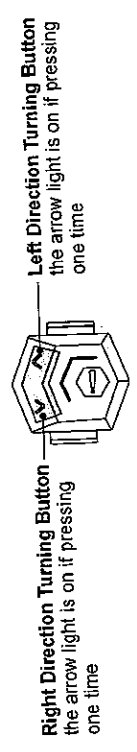
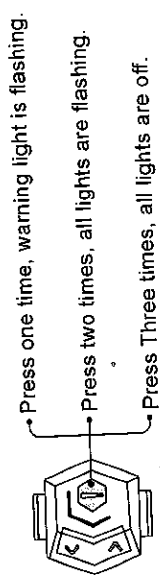
Matching Operation



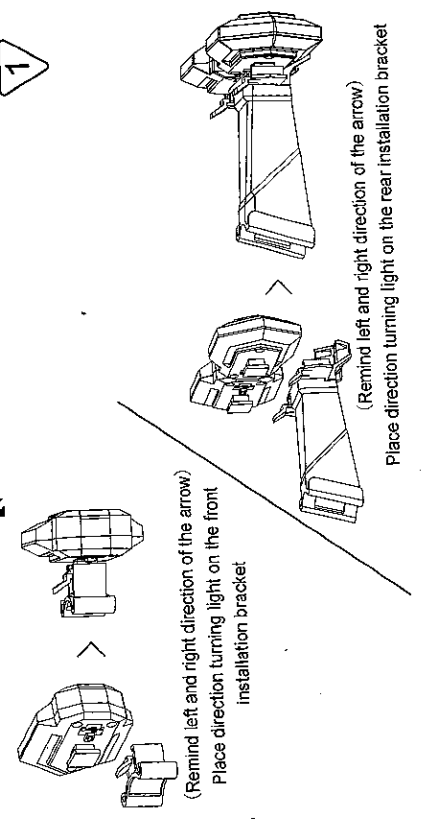
- I. Long press of matching button.
- II. Orange LED is on.
- III. Press Direction Turning button left or right turn.
- IV. Matching is successful if direction lights flashed thrice before turn off.

Remark: Matching operation can be done for two Direction Turning Lights at the same time

Button's Function



Installation



Please read the instruct

## Specification

### Direction Indicator:

Light Source: COB light + LED light

Frequency of Flashing: 2Hz

Size: 49mm×65mm×28mm

Weight: 27g

Type of Battery: 230mAh Polymer Lithium Battery

Working Temperature: -10°~ 40°

Visible Distance: 100m ~ 300m

Working Hours: Continuously flashing for 3 hours

(Stand-by time 70 days)

Certification: CE, RoHS, WEEE, IP65

### Remote Control:

Light Source: LED light

Size: 52mm×50×18.5mm

Weight: 20g

Working Hours: Stand-by time 200 days

Type of Battery: Button cell CR2032

Remote Control Operation Distance: <10m

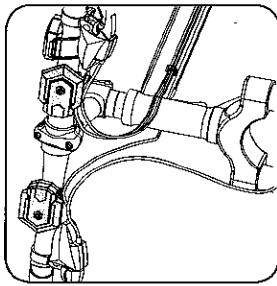
## Caution

1. 500+mA (USB2.0) Micro USB charger is suggested to use.
2. The working and lighting hours is an approximate time, the value may be changed under different condition.
3. Please double check the firmness of front and rear bracket before each use.
4. Please double check the firmness of O-ring before each use.
5. Please replace the battery after long use if the remote control LED light is not lighting or flashing less than two second
6. Please charge the battery of direction indicator if no reaction of direction indicator after a few press of the button on remote control.
7. Please remove the battery on the devices before discarding the devices.

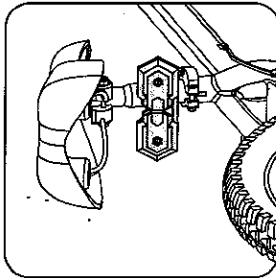
## Warranty description

12 months warranty: Only for electronics parts (except attenuation of battery). Carrybright provides 12 months warranty for fault of electronics parts from the date of purchase.

2

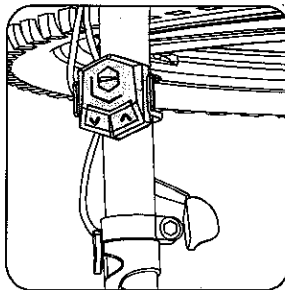


Fix the front installation bracket by using O-ring on the front fork tubes or head tube of bicycle.



Fix the rear installation bracket by using O-ring on the tube of seat.

3



Fix the remote control on the left side (right side) of head bar by using O-ring.